

MICRO_REPEATER 400 MHz

RF-RF / TETRA_TETRAPOL / SAW FILTER



Key features



The **400 MHz Micro repeater** ensures the continuity of mobile radio network Service **TETRA / TETRAPOL** in small infrastructure insufficiently covered or not, such as stores industrial buildings, warehouses, corridors, etc...

The installation just needs an antenna system, donor and coverage, and a supply plug in. No technical skills are required because the device is fully plug & play with integrated SAW filter and limiter.

Very compact and light, the micro- repeater can be installed anywhere, with maximum discretion. The product is declined under several references for the different bands Tetra / Tetrapol available.

Benefits

- ☑ Gain: +30 dB
- ☑ Integrated SAW filter
- ☑ Easy installation and commissioning



Specifications

Technical characteristics

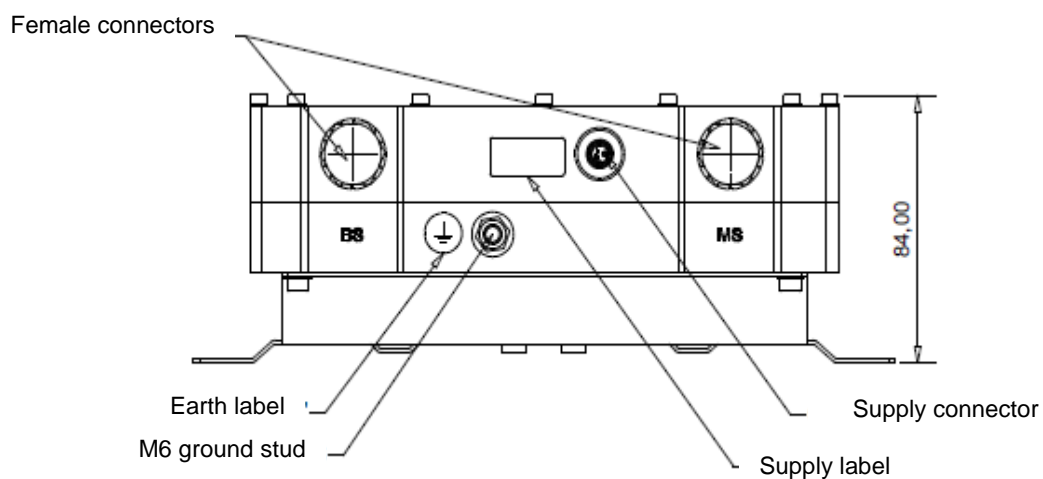
Frequency band	380/400 MHz	
	UPLINK	DOWNLINK
Frequency range	380 to 385 MHz	390 to 395 MHz
	385 to 390 MHz	395 to 400 MHz
	410 to 415 MHz	420 to 425 MHz
	415 to 420 MHz	425 to 430 MHz
	450 to 455 MHz	460 to 465 MHz
	455 to 460 MHz	465 to 470 MHz
Ripple in band	5 MHz	
Gain	+ 30 dB	
Nominal output power	1 carrier	+10 dBm
	2 carriers	+7 dBm
	3-4 carriers	+4 dBm
	8 carriers	+1 dBm

Mechanical characteristics

Dimensions	159 mm x 235 mm x 84 mm
Weight	≤ 1.750 Kg
Protection class	IP 34
Temperature range	-10°C to +45 °C
Cooling	Natural convection
Connectors	N-femelle

Electrical characteristics

Supply	Plug in
Consumption	4 W



For more information: www.see-critical.com

